

MITSUBISHI FUSO



FE145

DELIVERING MORE
TO YOUR COMPANY'S
BOTTOM **LINE.**





FE145 SPECIFICATIONS

THE INDUSTRY'S MOST DEPENDABLE CABOVERS carry the industry's best warranty — ours. It combines three-part protection for your FE investment. That includes limited 3-Year vehicle bumper-to-bumper/unlimited mileage; limited 4-Year warranty against rust-through, and a 5-Year/175,000-Mile limited Powertrain warranty that also covers bolt-ons such as turbochargers, starter motors and alternators. See your dealer for complete details on Mitsubishi Fuso's best-in-industry warranty.



CHASSIS

Transmission	Standard Estimated top speed (mph)	Aisin Electronic 6-speed OD AT 75
Axles	Front Rear	Reverse Elliot, I-beam type, 5,510-lb. capacity Full floating type, 9,920-lb. capacity
Final reduction gear	Type Ratio	Single-reduction hypoid 5.285
Curb weight base model	5,995 lb. (est.)	
Turning diameter	34.8 ft. (min. wheelbase)	
Tires (premium)	Single front, dual rear Size	215/85R16 10PR All-season all positions
Disc wheel	16" x 6"/6-lug	
Steering	Ball-nut-type with integral-type hydraulic power booster Tilt/telescoping steering column with steering lock	
Windows/door locks	Power	
Suspension	Front Rear	Laminated leaf springs with shock absorbers and stabilizer bar Laminated leaf springs with shock absorbers and stabilizer bar
Brakes	Service Parking Exhaust	Dual-caliper disc, hydraulic-type w/ vacuum servo assist w/ ABS Drum/driveline, internal expanding shoe Vacuum actuated
Frame	Type Section modulus Yield strength RBM per rail Height/width	Ladder/straight 8.11 cu. in. 56,560 psi 459,830 lb.-in. 34.6"/33.1"
Fuel tank	33-gallon side mount, or 30-gallon aft mount	
Electrical system	Two 12-volt, maintenance-free batteries – 799 CCA each	
Vehicle safety	Energy-absorbing steering wheel, crush bars in doors, daytime running lights and ABS standard	
Cruise control	Standard (programmable)	

MITSUBISHI FUSO



Cab tilts forward for easy servicing



Standard split-view driver and passenger mirrors help eliminate blind spots



Car-like interior with simple instrumentation, tilt/telescoping wheel, dash-mounted shifter

ENGINE

Model	Mitsubishi 4M50
Type	DOHC 4-stroke cycle, water-cooled, turbocharged, intercooled diesel with 4 valves per cylinder and dual balance shafts
No. of cylinders	Four in-line
Piston displacement	299.0 cu. in. (4.9 liter)
Max. output (SAE, gross)	185 hp @ 2700 rpm
Max. torque (SAE, gross)	391 lb.-ft. @ 1600 rpm
Air cleaner	Dry paper element with snorkel
Starter	12-volt
Alternator	12-volt, 100-amp
Cold weather starting aid	Individual ceramic-tipped glow-plugs

SAFETY

- Crush bar in each door
- Energy-absorbing steering wheel
- Daytime running lights
- Dual-caliper disc brakes with ABS, all wheels
- High-visibility halogen headlamps
- Covered, open-grate entry steps
- “Wet arm” 3-speed windshield wipers
- Forward swing doors for easy, safe entry
- Standard split-view mirrors

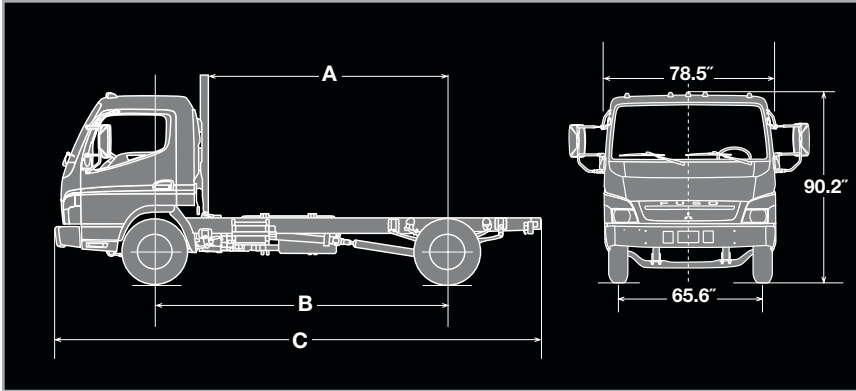


Covered, open-grate front steps stay cleaner

BODY COLORS

	Arcadia Silver
	Natural White
	Jupiter Green
	Mars Red
	Shannon Blue

All models are available immediately in white. Other colors may be special ordered at no extra charge.



DIMENSIONS

A. Usable cab to rear axle	86.0"	105.7"	123.8"	147.4"
B. Wheelbase	114.6"	134.3"	152.4"	176.0"
C. Overall length (end of frame)	227.2"	246.9"	265.0"	288.6"
Body size accommodated	12'	14'	16'	18' 20'

WEIGHT (LB.)

GVWR/GAWR	14,500	Front 5,360	Rear 9,880
GCWR	19,503		
Max. body-payload capacity*	8,505		

*Weight approximate. See dealer for details.



MITSUBISHI FUSO
TRUCK OF AMERICA, Inc.
2015 Center Square Road
Logan Township, NJ 08085

For the dealer nearest you,
or for more information,
visit our web site at:
www.mitfuso.com

