

UD2600LP

2009 Model Year



| WHEELBASES | E [†] | H | K | M | N | R | S |
|-----------------------------------|----------------|--------|--------|--------|--------|--------|--------|
| GVWR (lb.) | 25,995 | 25,995 | 25,995 | 25,995 | 25,995 | 25,995 | 25,995 |
| Chassis Weight (lb.) [†] | 9,395 | 9,485 | 9,595 | 9,705 | 9,835 | 9,850 | 9,910 |
| Front (lb.) | 5,790 | 5,920 | 6,010 | 6,055 | 6,120 | 6,100 | 6,140 |
| Rear (lb.) | 3,605 | 3,565 | 3,585 | 3,650 | 3,715 | 3,750 | 3,770 |
| Gross Payload (lb.)* | 16,600 | 16,510 | 16,400 | 16,290 | 16,160 | 16,145 | 16,085 |
| Wheelbase (in.) ** WB | 150.39 | 177.17 | 192.91 | 208.66 | 222.44 | 238.19 | 253.94 |
| Cab-to-Rear Axle (in.) CA | 118.27 | 145.04 | 160.79 | 176.54 | 190.31 | 206.06 | 221.81 |
| Rear Overhang (in.) RO | 44.88 | 72.88 | 76.97 | 88.58 | 102.36 | 110.24 | 114.17 |
| Overall Length (in.) OL | 245.67 | 300.39 | 320.28 | 347.64 | 375.64 | 398.20 | 418.50 |
| Turning Radius (ft.) | 21.30 | 25.40 | 27.40 | 29.40 | 31.20 | 32.80 | 35.00 |
| Typical Body Lengths (ft.)*** | 14/16 | 16/18 | 18/20 | 20/22 | 24/26 | 26/28 | 28/30 |

*Gross payload capacity equals GVWR minus chassis weight. Installation of specialized equipment or bodies may require frame reinforcement. **Wheelbase selection should be based on specific weight distribution. ***Typical body lengths assume water level load (no specific consideration for driver, passengers, or fuel) to maximize GVWR. Addition of ancillary equipment such as lift gates and refrigeration units not considered in calculations. [†] Chassis Weight will be 25 lbs. heavier at the "Rear", on average when Air-Ride suspension is selected. [‡] Air-Ride Suspension not available on E W/B.

| ENGINE | MD-230* 24 Valve |
|-------------------|--|
| | Turbo/Intercooled Diesel |
| | In-line 6 cylinder, Direct-injection |
| Horsepower | 230 hp @ 2,500 rpm |
| Torque | 506 lb. ft. @ 1,500 rpm |
| Displacement | 469 in. ³ (7.684 L) |
| Cylinder Liner | Dry, replaceable |
| Air Compressor | 14.1 CFM @ 2,600 engine rpm (nominal) |
| Fuel System | Electronically controlled common rail system |
| Air Cleaner | 11 in., paper filter type (DONALDSON) |
| Cold Starting Aid | Automatic electric glow plug |
| Fan | Viscous type drive |

*MD-230 (J08E-UJ) is a vendor engine manufactured for Nissan Diesel Motor Company

FRONT AXLE

| | |
|---------------------|----------------------------|
| GAWR | 9,480 lb. |
| Rated Axle Capacity | 9,480 lb. |
| Axle Type | "I" Beam |
| Suspension | Semi-elliptic leaf springs |
| Shock Absorbers | Telescopic type |



Transmission

STD
Nissan Diesel, MLS63B
Manual, 6 forward speeds & 1 reverse synchromesh on 2nd through 6th gears

OPTION
Allison, 2200RDS
Automatic
5 forward speeds & 1 reverse

Ratios

| | | |
|---------------------|-------|--------|
| 1st | 6.72 | 3.10 |
| 2nd | 4.03 | 1.81 |
| 3rd | 2.30 | 1.41 |
| 4th | 1.44 | 1.00 |
| 5th | 1.00 | 0.71 |
| 6th | 0.74 | — |
| Rev. | 6.12 | 4.49 |
| R/A Ratio | 4.88 | 4.88 |
| Engine rpm @ 65 mph | 2,185 | 2,194* |

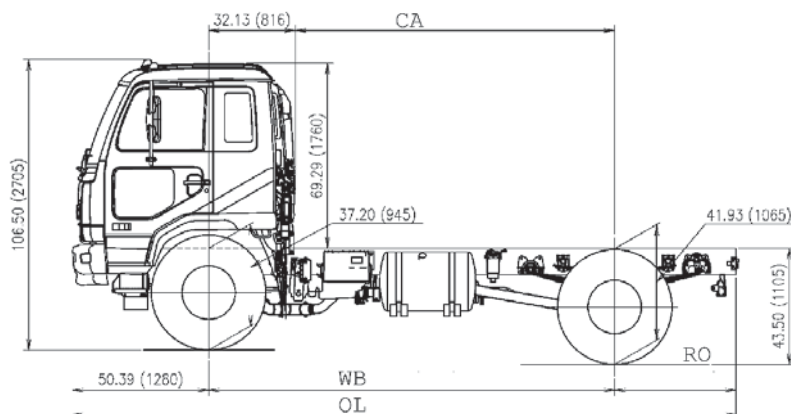
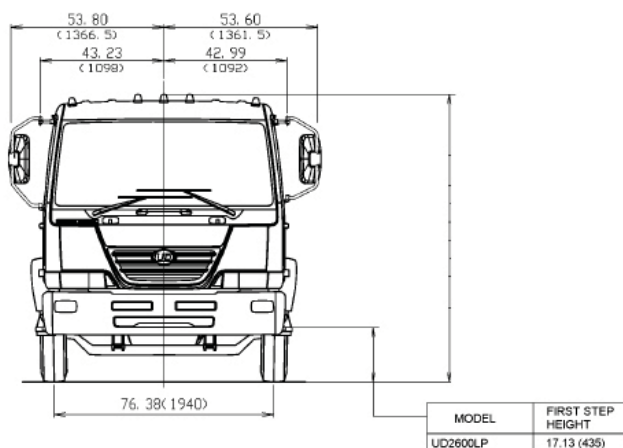
*Approximate engine rpm only. Allison will provide a performance scan by application on request.

CLUTCH

Hydraulic clutch with air assist
13.8 in. cerametallic friction material
Standard clutch wear indicator

STEERING

Integral power steering, gear driven pump



UD2600LP

2009 Model Year



REAR AXLE.

| | |
|---------------------|---|
| GAWR | 18,080 lb. |
| Rated Axle Capacity | 18,080 lb. |
| Axle Type | Full-floating banjo housing |
| Suspension Type | Semi-elliptic leaf springs with auxiliary springs |

WHEELS & TIRES

| | |
|--------|---|
| Tires | Front: Single, highway tread Rear: Dual, highway tread 255/70R22.5 - 14PR (tubeless radial) |
| Wheels | Steel disc type, 10 hole, 22.5 x 8.25 in., offset 6.50 in. |

BRAKE SYSTEM

| | |
|----------------|---|
| Service Brakes | Anti-lock Braking System Dual line, air-over-hydraulic brake system |
| Front | Internal expanding, two leading shoe, self-adjusting drum brakes Drum diameter x lining width x lining thickness: 15.75 x 4.72 x 0.59 in. |
| Rear | Internal expanding, dual two leading shoe, self-adjusting drum brakes Drum diameter x lining width x lining thickness: 15.75 x 6.10 x 0.59 in. |
| Air Tanks | Supply: 641 in. ³ Front service: 549 in. ³ Rear service: 641 in. ³ Total: 1,831 in. ³ |
| Air Dryer | Standard |
| Parking Brake | Hand brake lever activating drum at rear of transmission |

EXHAUST BRAKE

Electrically controlled, pneumatically
activated butterfly valve in exhaust pipe

CHASSIS FRAME

Ladder type, channel section side rails

| | |
|--|--------------------|
| Dimensions (in.) | 9.84 x 3.15 x 0.31 |
| Assembled Width (in.) | 33.86 |
| Section Modulus (in. ³) ** | 26.6 |
| Yield Strength (psi) | 51,200 |
| RBM (in.-lb.) | 1,362,000 |

*Height x Flange Width x Thickness

**Measured at back-of-cab, specifications based on complete chassis (both rails)

FUEL TANK

Round fuel tank, mounted to left side
Capacity - 50 gallons

CAB

| | |
|-------------------------------|--|
| Air Conditioner | Forward control, steel construction, tilting cab. Cab suspension w/ shock absorbers |
| Cab Glass | Standard |
| Cruise Control | Windshield, tinted laminated, 2,314 in. ² Standard |
| Door Vent Window | Standard |
| Driver's Seat | Driver, ventilating type Height & seat back angle adjustable w/air suspension, cloth cover, high back type |
| Floormat | Standard |
| Keyless Entry | Standard |
| Passenger Seat | Seat back angle adjustable. Cloth cover, high back |
| Power Windows & Door Locks | Standard |
| Seat Belts | Driver & passenger, 3-point ELR type |
| Rearview Mirrors | West coast type, 6.5 x 11 in. with Convex type, 5.8 x 4.3 in. |
| Steering Column | Tilt & telescopic type |
| Sun Visors | Driver & passenger |
| Windshield Wipers | Intermittent & 2 speed |

ELECTRICAL EQUIPMENT

Back-up lights
Cigar lighter
Clearance, identification & position lights
Day-time running lights
Halogen headlights, 2 lamps
Interior and map light
License light
Side turn signal lights
Stop/tail lights
Turn signal/hazard lights
Power outlet - 12 volt

INSTRUMENTS

Meters & Gauges
Air pressure gauges
Coolant temperature gauge
Fuel gauge
Speedometer, odometer & trip meter
Tachometer

Warning & Indicator Lights & Buzzers

ABS warning light
Alternator low charge warning light
Automatic Transmission:
- Check warning light
- Range inhibited warning light
- High temperature fluid warning
light & buzzer
Cab lock warning light & buzzer
Engine control system warning light
Engine glow plug indicator light
Exhaust brake indicator light
External air restriction indicator
Hazard warning flasher
High beam indicator light
Low air pressure warning light & buzzer
Low brake fluid level warning light
& buzzer
Low coolant level & overheating
warning light & buzzer
Low oil pressure warning light
Parking brake indicator light
Sedimentor warning light
Service brake warning light & buzzer
Turn signal indicator lights
Warning lights with burnt-out bulb
check function
Backup alarm
DPF warning/indicator lights

OTHER OPTIONS

AM/FM stereo radio with CD
Air-Ride Suspension on H, K, M, N, R, S
wheelbases only
Block heater
Center console/third seat
Rear wheel parking brake
Heated mirrors
Rear traction tires

All illustrations, specifications and descriptions in this specification are based on the latest product information available at the time of this publication. The right is reserved to make changes in price, materials, equipment, design, specifications, diagrams and models, and to discontinue models of equipment at any time, without notice and without incurring any obligation whatsoever. For more information on additional options and accessories, contact NISSAN DIESEL AMERICA, INC.

Manufacturer:
NISSAN DIESEL MOTOR CO., LTD.
Saitama, Japan

Distributor:
NISSAN DIESEL AMERICA, INC.
P.O. Box 152034
Irving, Texas 75015-2034
www.udtrucks.com