

MITSUBISHI FUSO



FM330 DELIVERING MORE
TO YOUR COMPANY'S
BOTTOM LINE.





FM330 SPECIFICATIONS

RE-ENGINEERED FROM THE INSIDE OUT. The FM330 model combines the latest advances in driver ergonomics, instrumentation and cab comfort. The interior is up to 8% quieter, offers more headroom, panoramic visibility and a choice of standard 5-speed automatic or optional 6-speed manual transmissions. Outside, the sleek exterior delivers 4% better aerodynamics with van bodies and an up to 25% improvement with flatbeds and low profile bodies. The FM330 is also backed by a 5-year/250,000-mile powertrain limited warranty — best in the industry.



CHASSIS

Clutch	Type Clutch size	Cerametallic 15"
Transmission	Standard Optional Estimated top speed (mph)	Allison® 3000 RDS Electronic 6-speed OD AT Mitsubishi 6-speed Direct MT 68 AT/74 MT
Axles	Front Rear	Reverse Elliot, I-beam type, 11,905-lb. capacity Full floating type, 22,485-lb. capacity
Final reduction gear	Type Ratio	Single-reduction hypoid 6.666 AT/4.625 MT
Curb weight base model	10,220 lb. (est.)	
Turning diameter	57.0 ft.	
Tires (premium)	Single front, dual rear Size	11R22.5 14PR Highway/Traction
Disc wheel	22.5" x 7.5"/8-lug	
Steering	Ball-nut-type with integral-type hydraulic power booster Tilt/telescoping steering column	
Cruise control	Standard (programmable)	
Windows/door locks	Power (standard)	
Air conditioning	Standard	
Suspension	Front Rear	Parabolic leaf springs Parabolic leaf springs
Brakes	Service Parking Exhaust	Drum, full air with ABS Spring brakes on rear axle Air actuated
Frame	Type Section modulus Yield strength RBM per rail Height/width	Ladder/straight 16.96 cu. in. 56,560 psi 904,960 lb.-in. 45.0"/33.1"
Fuel tank	50-gallon side mount	
Electrical system	Two 12-volt, maintenance-free batteries – 799 CCA each	
Vehicle safety	Energy-absorbing steering wheel, crush bars in doors, daytime running lights and ABS standard	

MITSUBISHI FUSO

SAFETY

Crush bar in each door

Energy-absorbing steering wheel

Daytime running lights

Full air brakes with ABS, all wheels

High-visibility halogen headlamps

Open-grate entry steps



Roomy cabin and comfortable seats improve driver comfort

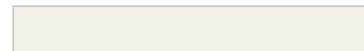


Controls are easy to reach and operate

BODY COLORS



Arcadia Silver



Natural White



Jupiter Green



Mars Red



Shannon Blue

All models are available immediately in white.
Other colors may be special ordered at no extra charge.

FABRIC STYLE



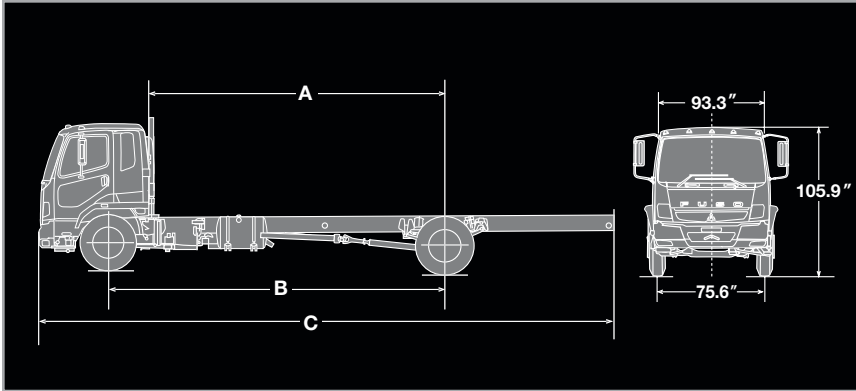
Blue and Gray Cloth



Revised instrument panel layout gives driver quick view of engine status

ENGINE

Model	Mitsubishi 6M60
Type	SOHC 4-stroke cycle, water-cooled, turbocharged, intercooled diesel with 4 valves per cylinder
No. of cylinders	Six in-line
Piston displacement	460 cu. in. (7.5 liter)
Max. output (SAE, gross)	243 hp @ 2600 rpm
Max. torque (SAE, gross)	514 lb.-ft. @ 1400 rpm
Air cleaner	Dry paper element with snorkel
Starter	12-volt
Alternator	12-volt, 100-amp
Cold weather starting aid	Individual ceramic-tipped glow-plugs



DIMENSIONS

A. Usable cab to rear axle	146.9"	164.6"	183.1"	204.0"			
B. Wheelbase	181.9"	200.0"	218.5"	239.4"			
C. Overall length (end of frame)	312.8"	339.6"	367.1"	408.5"			
Body size accommodated	16'	18'	20'	22'	24'	26'	28'

WEIGHT (LB.)*

GVWR/GAWR	32,900	Front 11,700	Rear 21,200
GCWR	48,000		
Max. body-payload capacity	22,680		

*Weight approximate. See dealer for details.



MITSUBISHI FUSO
TRUCK OF AMERICA, Inc.
2015 Center Square Road
Logan Township, NJ 08085

For the dealer nearest you,
or for more information,
visit our web site at:
www.mitfuso.com

Vehicle specifications are subject to change without notice. Photos and descriptions included in this spec sheet may vary in comparison to actual vehicle models. For warranty limitations and details, see your local dealer. Allison is a registered trademark of General Motors Corporation. PRINTED IN THE U.S.A. ON RECYCLED AND RECYCLABLE PAPER 11/07. ©2007 MITSUBISHI FUSO TRUCK OF AMERICA, Inc.

